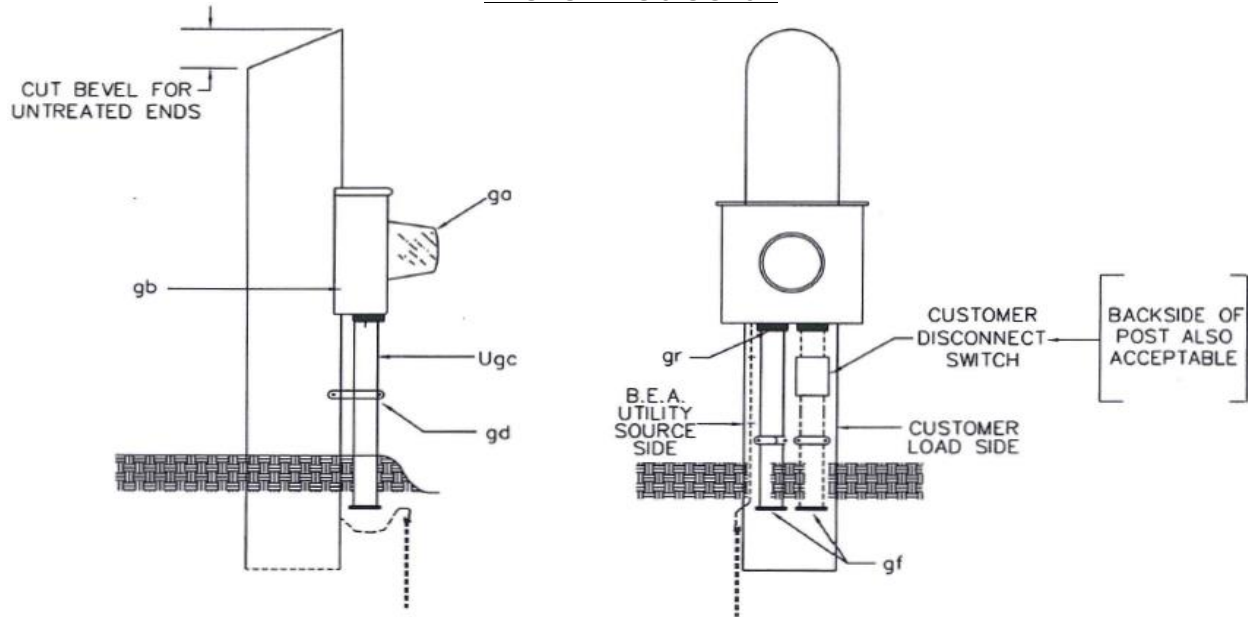


## Meter Pedestal



**Notes:**

1. BEA engineering staff must spot meter base location prior to meter base installation.
2. Customer to provide trenching and backfill. Trench must be a minimum of 3 ft deep. Warning tape to be installed in trench, 12 inches below top of grade.
3. Customer to provide ALL conduit from meter base to & up BEA pole, including 90s.
  - a. Conduit size must meet or exceed the 3" conduit size requirement.
4. Customer to provide weather head and straps as needed for conduit up BEA pole.
  - a. BEA to install customer provided conduit up BEA pole.
5. Conduit up pedestal to meter base, up BEA pole, and under any area subject to vehicle traffic or concrete shall be SCH 80 conduit. All other can be SCH 40 conduit.
6. SCH 80 conduit 90s to be provided and installed at meter base end and BEA pole end of conduit run. No more than (2) 90s in conduit run. No 45s to be used in conduit run.
7. Customer installed conduit shall be left weatherproofed with a pulling string or rope installed in conduit and extending through weatherproofing.
8. BEA to provide and install all electric cable from BEA transformer to customer meter base. BEA to make connections at transformer and top side of meter.
  - a. Cost for installed electric cable is \$4.00 per foot for single phase. This footage includes from the transformer to the meter base.
9. A treated 6" x 6" square post in concrete or a meter mounted on unistrut and unistrut installed on post for conduit attachment is acceptable.
10. Left side of meter base reserved for BEA use.
11. Any single-phase service entrance greater than 400 amp, the customer is responsible for conduit AND cable. BEA will CT the service on the transformer pole, a CT fee of \$1000 will apply.
12. Trench and conduit to be inspected by State of Tennessee Electrical Inspector prior to trench being backfilled or site pipes must be installed if backfilling before inspection. The meter base and conduit/ditch must pass a State of Tennessee electrical inspection prior to BEA service connection.